

TKZ-F10328

Kent retractor series catalogue



The retractor, “Kent”

* Combination of Kent Retractor can be customized. Each part can be ordered.

TKZ-F10328-OBS Kent Retractor Basic Set

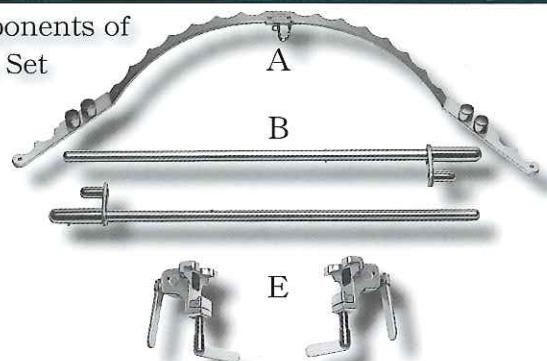
The features of Basic Set

- Only few parts to be sterilized
- Wide operative field available by traction from full direction for Upper Abdomen Operation
- Also available for Lower Abdomen Operation and Intrapelvic Operation by setting Arch Bar A at patient's foot side
- Optional set (Application Set, Boomerang Set, etc.) useful to support desired traction

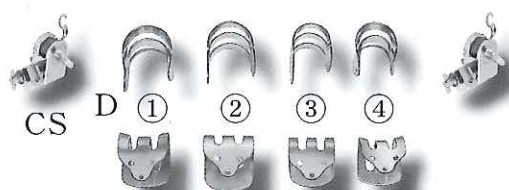
COMPONENTS:

Description	Q'ty
TKZ-F10328-A Arch bar A	1pc.
TKZ-F10328-B Support bar B 600mm	2pcs.
TKZ-F10328-CS Retractor CS	2pcs.
TKZ-F10328-D① W60mm × D65mm Saddle hook D1	2pcs.
TKZ-F10328-D② W65mm × D60mm Flat hook D2	2pcs.
TKZ-F10328-D③ W60mm × D50mm Flat hook D3	2pcs.
TKZ-F10328-D④ W55mm × D55mm Saddle hook D4	2pcs.
TKZ-F10328-E Clamp E	2pcs.

Components of Basic Set

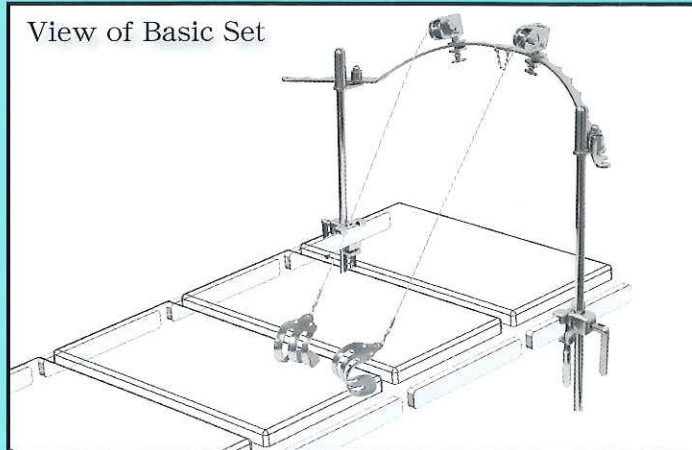


Parts A, B, E are useful in non-sterilized condition.



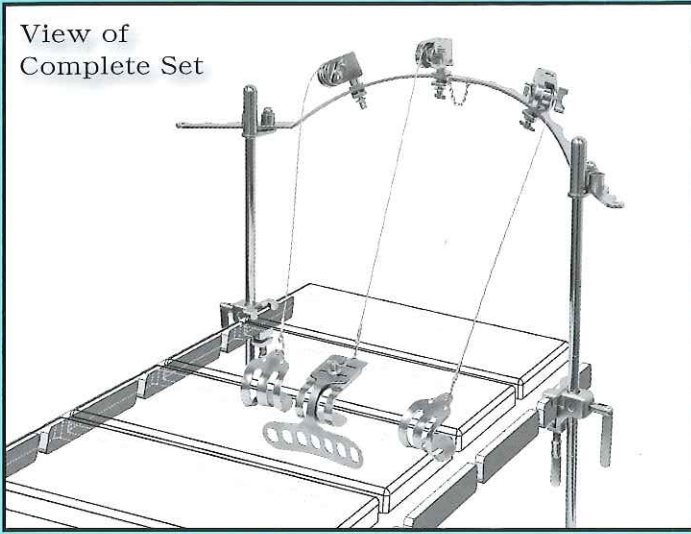
Parts CS, D series shall be sterilized for use.

View of Basic Set



TKZ-F10328-1 Kent Retractor Complete Set

View of Complete Set

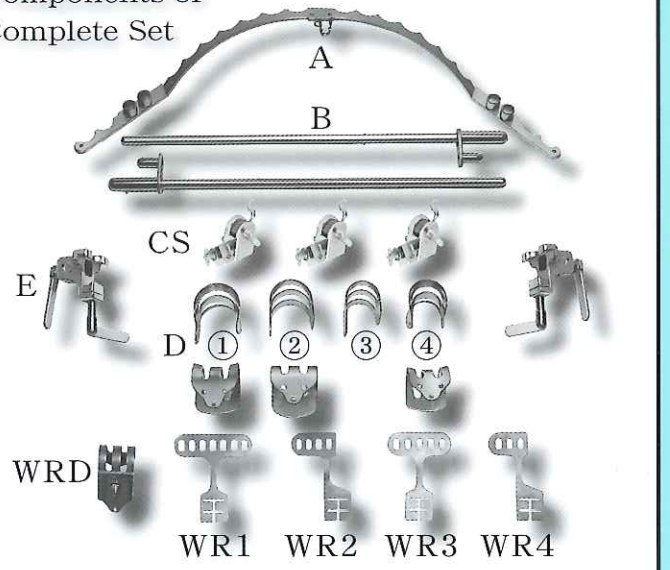


Kent Retractors realize optimum condition for wide range of operations, hepatectomy, gastrectomy, etc.

COMPONENTS:

Description		Q'ty
TKZ-F10328-A	Arch bar A	1pc.
TKZ-F10328-B	Support bar B 600mm	2pcs.
TKZ-F10328-CS	Retractor CS	3pcs.
TKZ-F10328-D①	W60mm × D65mm Saddle hook D1	2pcs.
TKZ-F10328-D②	W65mm × D60mm Flat hook D2	2pcs.
TKZ-F10328-D③	W60mm × D50mm Flat hook D3	1pc.
TKZ-F10328-D④	W55mm × D55mm Saddle hook D4	2pcs.
TKZ-F10328-E	Clamp E	2pcs.
TKZ-F10328-WRD	W 60mm × D50mm Base hook WRD	1pc.
TKZ-F10328-WR1	W170mm × D50mm Flexible wide blade WR1	1pc.
TKZ-F10328-WR2	W100mm × D50mm Flexible single blade WR2	1pc.
TKZ-F10328-WR3	W140mm × D50mm Flexible wide blade WR3	1pc.
TKZ-F10328-WR4	W 85mm × D50mm Flexible single blade WR4	1pc.

Components of Complete Set



TKZ-F10328-CS
Retractor CS



TKZ-F10328-HS
Retractor HS

Pressing Stopper lever allows to release Wire.

The features of Retractor CS and Retractor HS

- Retractor CS is the improved model of Retractor C. Retractor HS is the improved model of Retractor H.
- Compact body of anti-corrosive stainless steel
- Replaceable with the former models

The features of Support bar B



Easy reading scales with 5cm interval scales up to 35cm height

360 degrees rotatable Support bar adapter is easily fixed on Arch bar A.

Joint bar
Support bar adapter

TKZ-F10328 Kent retractor series

Takasago®

TKZ-F10328-WRS Kent Wing Retractor Set

The features of Wing Retractor

- Suitable structure for Upper Abdomen Operation
- Widely suppressing liver
- Double "T" Cut Sliding system allows to slide the suppressing position with only loosening a screw.
- Free combination by detachable blades
- Light and flexible blades

COMPONENTS:

Description	Q'ty
TKZ-F10328-WRD W 60mm × D50mm Base hook WRD	1pc.
TKZ-F10328-WR1 W170mm × D50mm Flexible wide blade WR1	1pc.
TKZ-F10328-WR2 W100mm × D50mm Flexible single blade WR2	1pc.
TKZ-F10328-WR3 W140mm × D50mm Flexible wide blade WR3	1pc.
TKZ-F10328-WR4 W 85mm × D50mm Flexible single blade WR4	1pc.

Examples of usage



Blade is useful reversibly.



Two single blades can be combined.

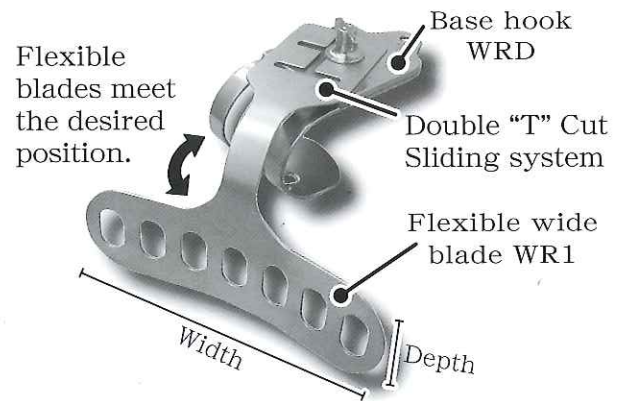


Easy adjustment of the suppressing direction



Deep flexibility

An example of the combination for Base hook and Flexible wide blade WR1



Base hook WRD

Flexible wide blade WR1



Using flexible single blade WR4 2pcs.

TKZ-F10328-2 Kent Retractor Application Set



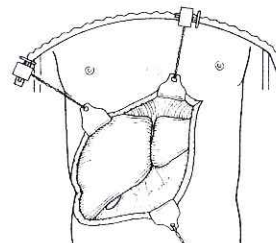
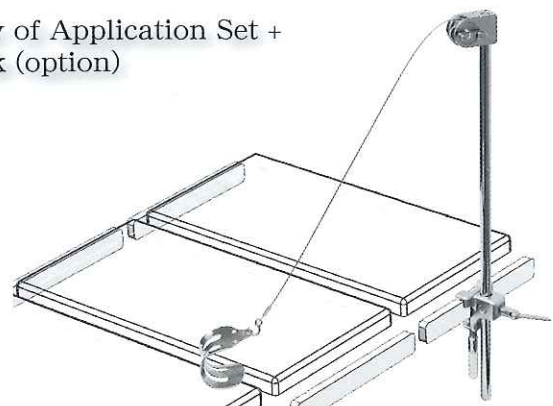
Components of Application Set

COMPONENTS:

Description	Q'ty
TKZ-F10328-G Support bar G	1pc.
TKZ-F10328-HS Retractor HS	1pc.
TKZ-F10328-E Clamp E	1pc.

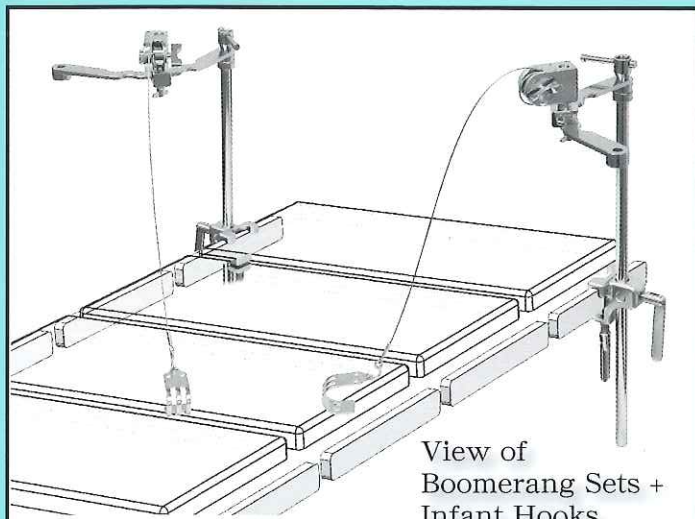
Please order or prepare a proper hook for using Application Set.

View of Application Set + Hook (option)



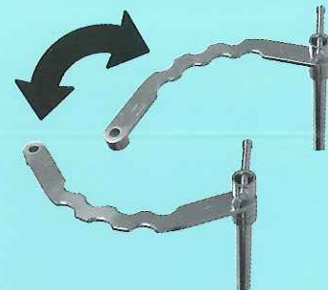
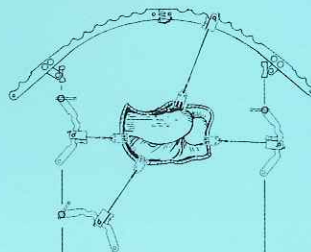
Usage example:
Using 1 Application Set with 1 Basic Set to draw in 3 directions.

TKZ-F10328-8 Kent Retractor Boomerang Set



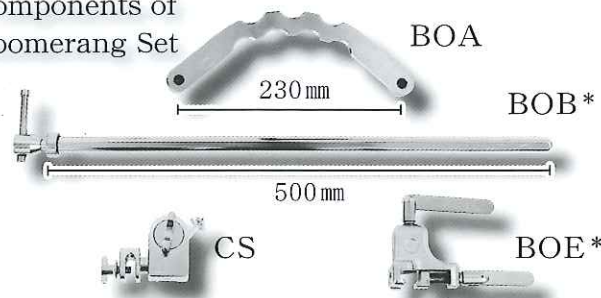
Boomerang bar allows to easily perform retraction from bedside or foot side for thoracotomy incision.

Usage example:
Using 3 Boomerang Sets with 1 Basic Set to draw in 4 directions.



Boomerang bar is reversible to change the direction.

Components of Boomerang Set



COMPONENTS:

Description	Q'ty
TKZ-F10328-BOA Boomerang bar BOA	1pc.
TKZ-F10328-BOB Support bar BOB 500mm*	1pc.
TKZ-F10328-CS Retractor CS	1pc.
TKZ-F10328-BOE Clamp BOE*	1pc.

Please order or prepare a proper hook for using Boomerang Set.



* To prevent from rotating, there are two longitudinal drains on BOB and a pin on BOE. Please be sure to use BOB and BOE together.

OPTIONAL RETRACTION HOOKS

Type	Type	Saddle hook D1	Flat hook D3	
TKZ-F10328-D① W60mm × D65mm Saddle hook D1	TKZ-F10328-D⑨ W42mm × D42mm Flat hook D9, medium			
TKZ-F10328-D② W65mm × D60mm Flat hook D2	TKZ-F10328-D⑩ W42mm × D45mm Saddle hook D10, medium			
TKZ-F10328-D③ W60mm × D50mm Flat hook D3	TKZ-F10328-D⑪ W75mm × D75mm Saddle hook D11 for obesity			
TKZ-F10328-D④ W55mm × D55mm Saddle hook D4	TKZ-F10328-D⑫ W65mm × D75mm Flat hook D12 for obesity			
TKZ-F10328-D⑤ W29mm × D40mm Flat hook D5 for infant				
TKZ-F10328-D⑥ W29mm × D29mm Flat hook D6 for infant				
TKZ-F10328-D⑦ W29mm × D26mm Saddle hook D7 for neonate				
TKZ-F10328-D⑧ W20mm × D22mm Saddle hook D8 for neonate				
	Flat hook D6 for infant	Saddle hook D7 for neonate	Saddle hook D11 for obesity	Flat hook D12 for obesity